



1080P 3D HDMI EXTENDER OVER CAT6 (164 FEET / 50 METERS)



IR PASS-THROUGH



DA-HDEX USER MANUAL

INTRODUCTION

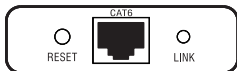
Thank you for choosing Sabrent. This HDMI Extender kit includes two main units: a transmitter (TX), and a receiver (RX). It allows an HDMI signal to be transmitted up to 164 feet (50 meters) at 1080p / 60Hz over a single CAT6 cable in a point-to-point configuration. Additionally, it supports IR passthrough with an IR frequency of 20-60KHz, which will allow you to use your device's original infra-red remote control.

FEATURES

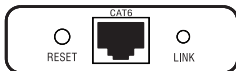
- Transmission up to 164 feet (50 meters) over a single CAT6 (or higher) cable.
- Uncompressed and zero latency.
- Maximum Resolution Supported: Full HD 1080p at 60Hz.
- Full support for uncompressed audio (LPCM).
- EDID pass-through function.
- Compatible with HDMI1.4 and HDCP1.4
- Infra-Red remote control pass-through function (IR range support 20~60KHz)
- Plug and play.
- Metal casing for optimal heat dissipation.



PACKAGE CONTENTS



TRANSMITTER UNIT X 1



RECEIVER UNIT X 1

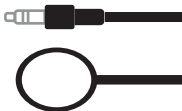


DC5V/1A X 2

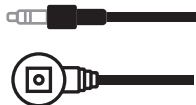
- 1 x CAT6 RJ-45 Compliance Test cable (1 meter)



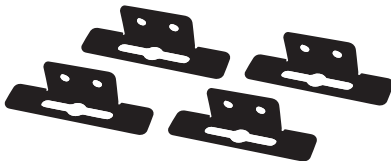
USER MANUAL X 1



IR BLASTER EXTENSION X 1



IR RECEIVER EXTENSION X 1



MOUNTING BRACKETS FOR BOTH RX AND TX UNIT

IMPORTANT SAFETY INSTRUCTIONS

1. Please note the different items to this product before proceeding.
2. When the device is plugged in, do not remove or attach any cables.
3. Only the included power adapter (5V DC) is approved for use with this device. It is not recommended to use any other power adapter.
4. Static electricity can cause damage to this device. Please take ESD precautions before proceeding.

INSTALLATION REQUIREMENTS

1. HDMI source device (TV cable box, computer video card, DVD or Blu-Ray player, game console, HD monitoring equipment, etc.)
2. HDMI display device like standard-definition or high-definition TV, monitor, or projector with an available HDMI port.
3. One CAT6 cable or better (up to 50 meters)

TRANSMITTER UNIT (TX)

1 - Reset button

Press for restarting the unit

2 - RJ45 signal output

Output encoded HDMI signal

3 - Link indicator

LED indicator turns on when there is signal input, it flashes when there is not signal input

4 - DC5V input

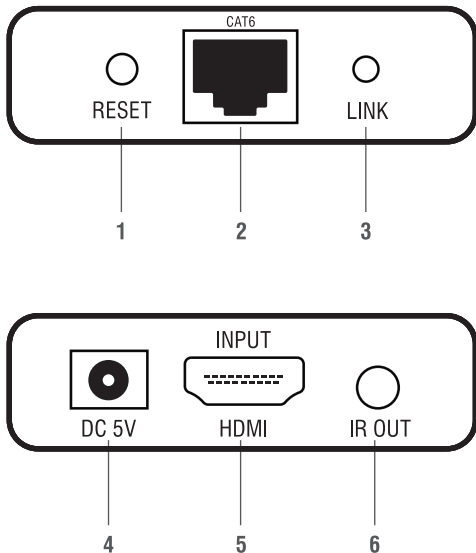
Connect with the power supply

5 - HDMI signal input

Connect with the source device

6 - IR signal output

Connect with the IR blaster ext. cable



RECEIVER (RX)

1 - Reset button

Press for restarting the unit

2 - RJ45 signal input

Input encoded HDMI signal

3 - Link indicator

LED indicator turns on when there is signal transmission, it flashes when there is not signal transmission

4 - DC5V input

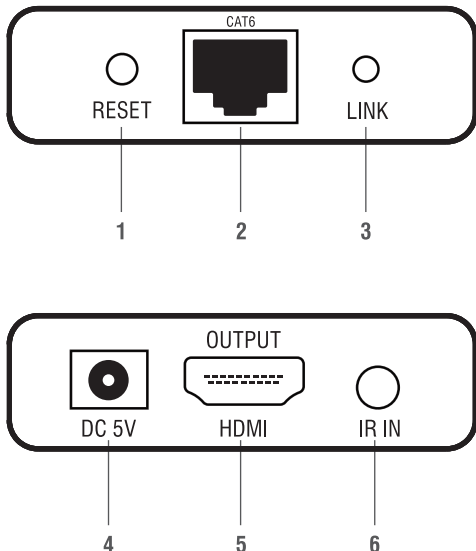
Connect with the power supply

5 - HDMI signal output

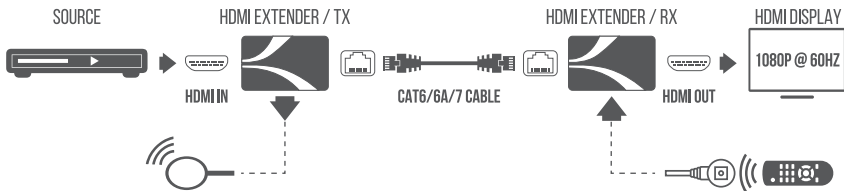
Connect with the display device

6 - IR signal input

Connect with IR receiver ext. cable



CONNECTION DIAGRAM



HOW TO CONNECT IT

1. Connect your source device (Blu-ray, camera, etc.) to the Transmitter (TX), and your display device (monitor, TV, projector, etc.) to the Receiver (RX) via HDMI cables (not included).
2. Connect Transmitter (TX) and Receiver (RX) via network cable (CAT6 / CAT6A or CAT7).

NOTE: In the package, we supply a certified 1-meter CAT6 cable for you to test your devices' compatibility and connectivity. Whether or not your HDMI extender works with a longer CAT6 cable will depend entirely on the quality of the cable itself.

3. Connect both transmitter and receiver to their respective 5V DC power adaptors. This will begin the connection process. Once the units are synced, you will see the image and be able to change the resolutions to the attached display device.

USING THE IR (INFRA-RED) REMOTE CONTROL PASS-THROUGH FEATURE

This feature will allow you to continue using your infra-red remote control in spite of the distance between your source device and your display unit.

1. According to the diagram above, connect the **IR IN** signal cable to the receiver (**RX**). Then connect the **IR OUT** signal cable to the transmitter (**TX**). For your convenience, both cables are labeled.
2. The emitter of the **IR OUT** cable should be as close as possible to the **HDMI** input source device.

Power supply	DC5V 1A
Resolution supported	480i@60hz, 480p@60hz 576i@50hz, 576p@50hz 720p@50/60hz, 1080i@50/60hz 1080p@50/60hz
IR remote control	Supports 20-60khz
Power consumption	TX: <2W; <2W

TROUBLESHOOTING

If there is no output on the screen and all connections are correct, try the following:

1. Test your equipment with the certified CAT6 1-meter cable supplied with our unit. If it works with our 1-meter cable, the problem is the quality of the longer cable.
2. Make sure your TV/monitor/projector supports the HDMI signal which is being fed through the HDMI extender kit.
3. Please check and make sure the network cable is fully inserted into the network port on both sides.
4. Restart the transmitter or receiver by pressing the reset button.
5. Please check and make sure the length of your certified CAT6 network cable is within the usable range: **Up to 50 meters.**
6. Reset the transmitter so that the units can resynchronize.

Q: The color or resolution becomes abnormal, or there is no audio output?

A: Reset the transmitter so that the units can resynchronize.

Q: The image goes black for a microsecond when I touch the metal casing of the TX or the RX unit

A: Avoid touching the units during operation, or ground your unit.



**Please contact our Technical Support Team
for additional troubleshooting**

WWW.SABRENT.COM